



Conca

A7371.. A7372..

Ideal Standard

Produced since: **Nov. 2019**

Pre-installation kit 1

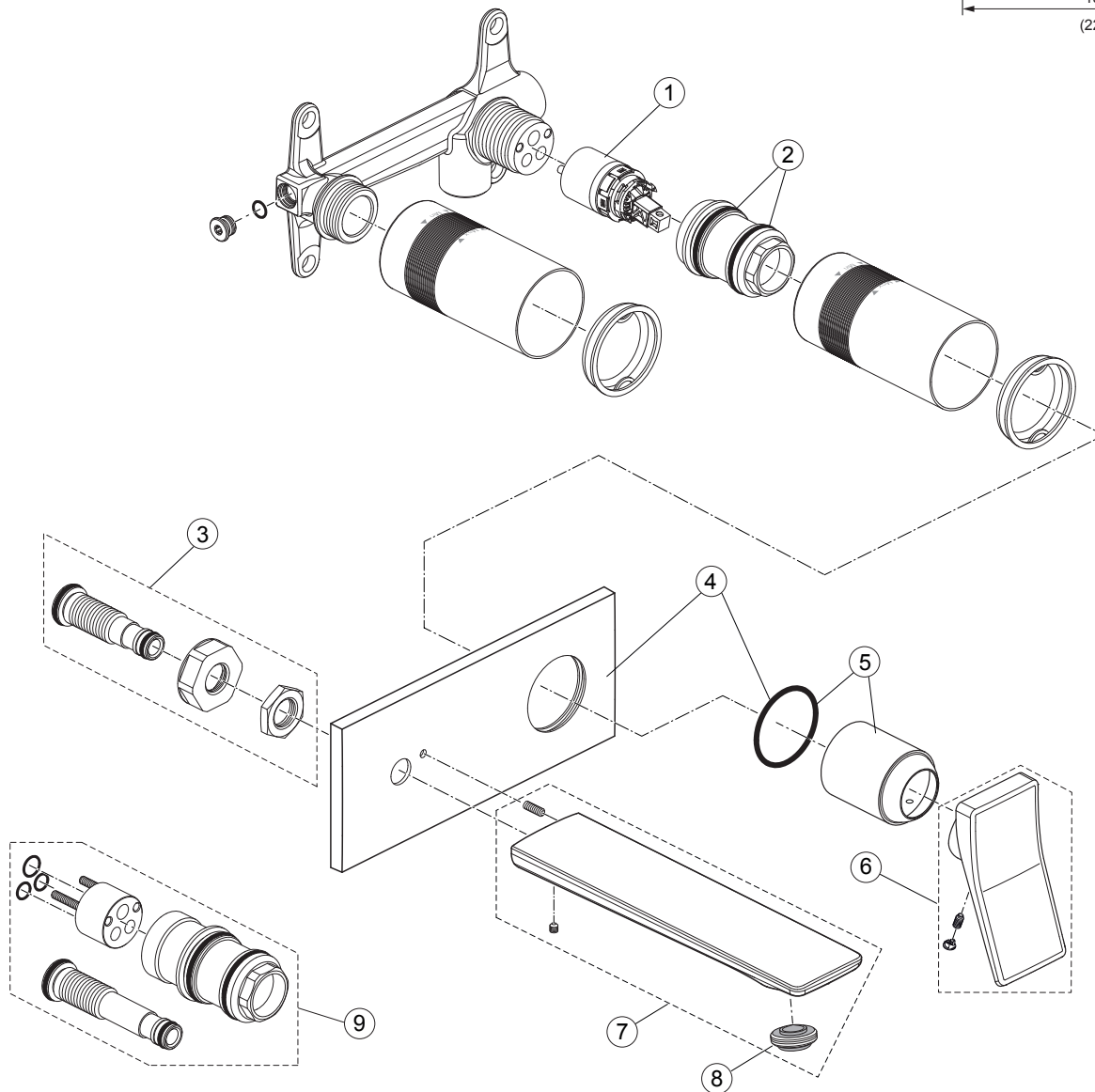
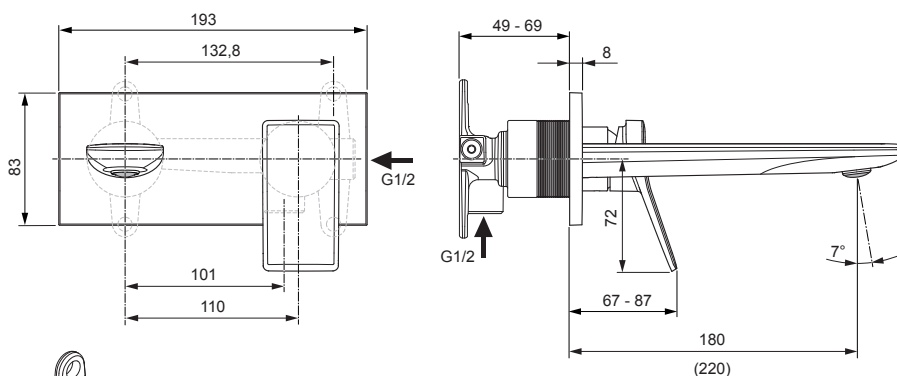
A1313NU

Spout lenght 180 mm

A7371..

Spout lenght 220 mm

A7372..



Replace XX with the appropriate finish code

Chrome = AA Silver Storm = GN Gold = A2 Magnetic Grey = A5

Example spare part order:

A 861 423 AA in Chrome

Pos.	Description	Part-Number	Qty.	Pos.	Description	Part-Number	Qty.
1	Cartridge Ø28 + O - ring	A 861 397 NU*	1 Set				
2	O - Ring Ø 32 x 2	A 961 793 NU	2 pcs				
3	Connector nipple cpl.	A 861 422 NU	1 Set				
4	Escutcheon with O-ring	A 861 423 XX	1 Set				
5	Cover cap with O-ring	A 861 424 XX	1 Set				
6	Lever cpl.	A 861 425 XX	1 Set				
7	Spout cpl. 180mm	A 861 426 XX	1 Set				
	Spout cpl. 220mm	A 861 427 XX	1 Set				
8	Aerator M24x1 - 5ltr/min	A 861 418 NU	1 pcs				
9	Extension kit 20mm longer	A 861 428 NU	1 Set				

**Universal set (not all parts needed)*