

# PAESTUM LAVABO PA023.BI

CE EN 14688:2015

# GLOBO



Effetto antibatterico su ceramica BATAFORM®  
Ceramic antibacterial effect BATAFORM®



Prodotto smaltato con CERASLIDE®  
Glazed product with CERASLIDE®

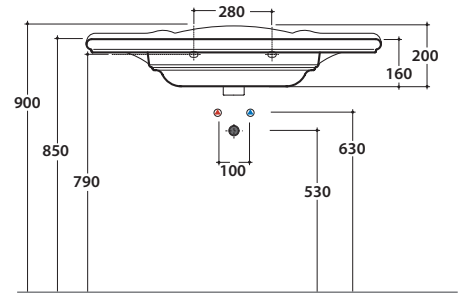
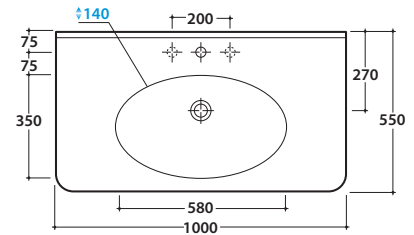
Cod. **PA023.BI**

Lavabo 100.55 h20 cm. Installazione sospesa o su mobile. Completo di fissaggi.

Peso 29 Kg

Basin 100.55 h20 cm. Wall-hung installation or on base. Fixing kit included.

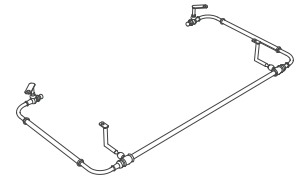
Weight 29Kg



Cod. **PAPC23**

Portasciugamani frontale in ottone cromato, peso 2 Kg

Front brass chromium-plated towel rail. Weight 2 Kg



Cod. **FI012BI**

Piletta up and down con tappo in ceramica per lavabi con troppo pieno. Peso 0,5 Kg

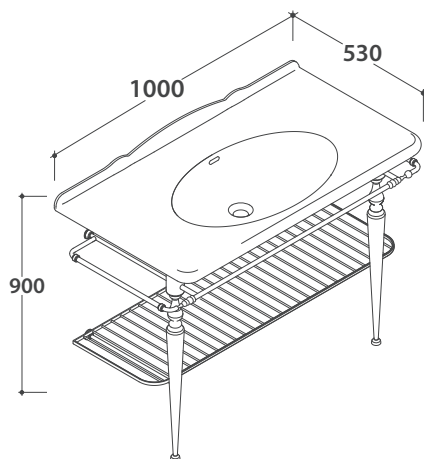
Push open valve drain with ceramic top for basins with overflow. Weight 0,5 Kg



Cod. **FI012CR**

Piletta cromata up and down per lavabi con troppopieno. Peso 0,5 Kg

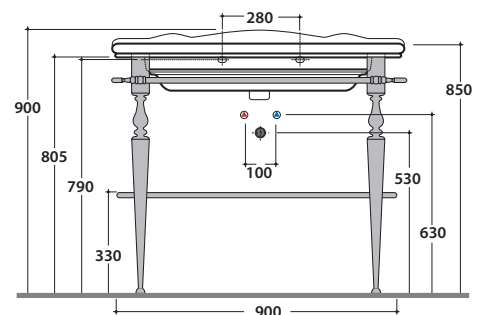
Push open chromed valve drain for basins with overflow. Weight 0,5 Kg



Cod. **PATC23**

Struttura a terra 100.53 h82 cm in ottone cromato, per lavabo PA023. Peso 12 Kg

Brass chromium-plated floor-mounted structure 100.53 h82, for basin PA023. Weight 12 Kg



# PAESTUM LAVABO PA023.BI

CE EN 14688:2015

# GLOBO

Cod. **PS100FO**

Foglia oro  
Gold-leaf finish

Cod. **PS100FA**

Foglia argento  
Silver-leaf finish

Cod. **PS100CA**

Laccato CARBONE  
Lacquered CARBONE

Cod. **PS100ME**

Laccato MELOGRANO  
Lacquered MELOGRANO

Cod. **PS100CT**

Laccato CRETA  
Lacquered CRETA

Cod. **PS100CL**

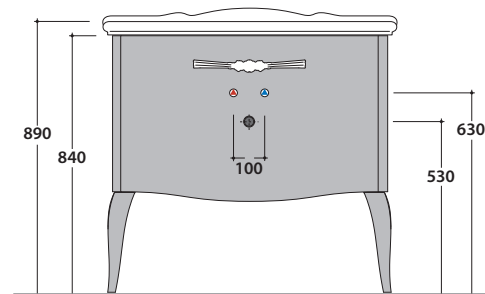
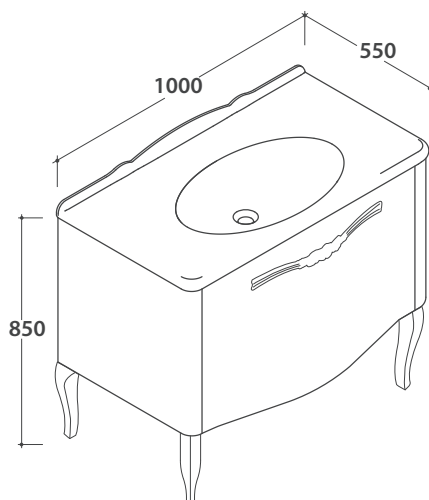
Laccato CLAY  
Lacquered CLAY

Cod. **PS100RN**

Rovere nero  
Black oak finish

Cod. **PS100RB**

Rovere bianco  
White oak finish



Ingombro massimo con cassetto aperto mm. 940  
Maximum encumbrance with open drawer mm. 940

Base a terra 93.51 h84 cm per lavabo PA023, 1 cassetto. Peso 36,7 Kg  
Floor-mounted base 93.51 h84 cm for basin PA023, 1 drawer. Weight 36,7 Kg